



TEMPERATURE CONTROL WITH NON-LINEAR RESISTORS

Thermistors Sensors for Refrigeration





Thermistors Sensors for Refrigeration

NTC sensors from Vishay are a key component for temperature measurement and control in refrigerators, freezers and deep-freezers, air conditioning, and floor heating. Our sensors feature insulated thermistor chips that are protected in a plastic housing, allowing for superior humidity and thermal cycling resistance. They are easily mounted and can be foamed into place and grouped with other features on an assembly bundle.

All Vishay NTC sensors are built using our own process, from powders to ceramics, and are finished with our own manufacturing assembly, allowing us to meet specific customer requirements. Our sensors can be customized to facilitate mounting or to suit specific end-customer demands, such as cable colors, specific white goods colors, cable grouping, labels, and packaging. The sensors' designs are also adaptable to various refrigerator models.

Technical Capabilities

Various Locations in Appliances — Vishay sensors can be mounted in various locations inside refrigerators, allowing for application-specific temperature measurement. They can measure the temperature inside the refrigerator cabinet, the freezer cabinet, the surface temperature of the freezer back panel, the evaporator tube temperature, or the compressor temperature. They can be mounted with adhesive tape, adhesive foam tape, a screw under a hood, or by clamping them onto a tube.

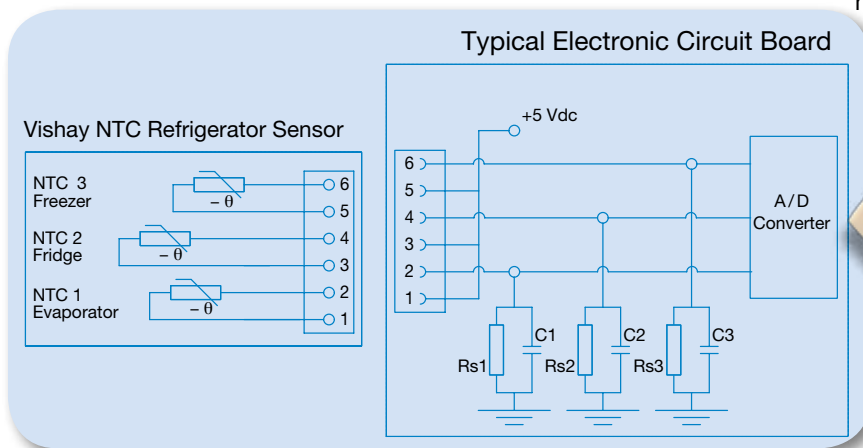
Sensors Sizes — A range of plastic cases is available to suit a wide variety of applications. Options include 7 mm x 25 mm, 8 mm x 30 mm, 9 mm x 30 mm, or 9 mm x 49 mm for the cylindrical shapes; and 7 mm x 7.5 mm x 25 mm for the flat surface measurements of the rectangular shapes. Other molding sizes are available on demand.

Cables — Flexible cables for use in cold storage environments are designed for single- or double-insulated applications where there are electrical and mechanical critical paths. Vishay offers various types of flexible cables, ranging from standard single-insulated 30- to 22-AWG cables with 2 x 0.5 mm² or 2 x 0.75 mm² conductors, to a specific double-insulated cable with 2 x 0.35 mm² conductors.

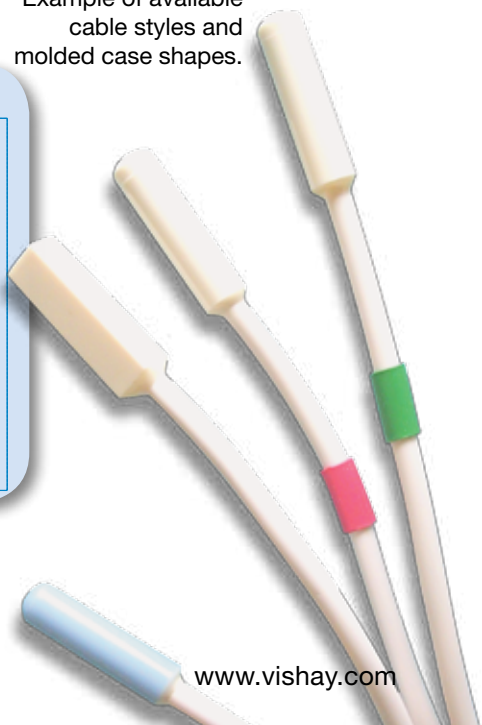
RAST 2.5 mm Connectors — There are a number of connectors available for use in wire-to-wire, wire-to-pcb, or pcb edge connections. Both crimping or insulation displacement connectors can be utilized, including the most commonly used RAST 2.5 mm connectors. Anywhere from two to five sensors can be grouped on the same connector, allowing for error-proof mounting and space savings on the circuit board. Other applications, such as the connection between the circuit board and the door switch, can also be grouped with these sensors on the same connector.

Reliability — Due to the high-reliability of Vishay's design and process, our sensor cables can be foamed-in-place, without the need for servicing throughout the lifetime of the refrigerators and freezers. To facilitate the assembly process, features such as colored markers and position markers can be added as a guide to the exact placement of the sensors and cables in the refrigerator.

Example of available cable styles and molded case shapes.



Rs1: Typical 10 kΩ SMD, code CRCW060310k0FK
Rs2, Rs3: Typical 47 kΩ SMD, code CRCW060347k0FK
C1, C2, C3: Typical 100 nF, 25 V, code VJ0603X104KXX



Performance Data

Test	Standard	Conditions	$\Delta R25/R25$ (Typical)
Dry Heat	IEC 60068-2-2	Storage at upper temperature, 1000 h	< 2 %
Cold Storage		Storage at lower temperature, 1000 h	< 2 %
Damp Heat, Steady State	IEC 60068-2-3	40 °C / 95 % RH, 56 days	< 2 %
Temperature Cycling	IEC 60068-2-14	- 40 °C / + 80 °C, 1000 cycles	< 2 %
Water Immersion		Water temp. 30 °C / biased 5 V with serial resistance, 4000 cycles (x20 minutes) minimum	< 2 %
Temperature Cycling		- 20 °C / +15 °C, immersion in water, 1500 h	< 2 %
Temperature Cycling		- 20 °C / + 25 °C, air 100,000 cycles	< 2 %
Voltage Proof		1250 V single insulated, or 3750 V double insulated, or 3750 V Class II, 1 min	
Insulation Test		500 Vdc	>> 100 M Ω
Cold Storage Test		- 40 °C, under voltage, 10,000 h	< 2 %

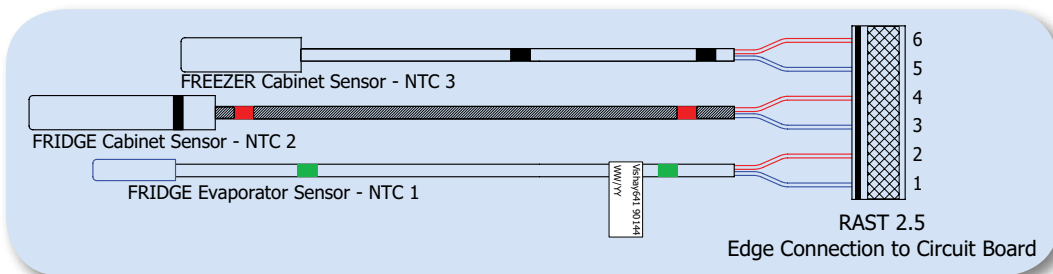
Features

- Key component for temperature sensing and electronic control
- Accurate Vishay NTC chips, enabling class A to class A+++ refrigerator grades
- Sensor design following class II insulation (principal + supplementary insulation for the sensor head)
- High adhesive strength between PVC wire and encapsulating lacquer
- Specifically developed design allows for a very good water, moisture and ice resistance: 6000 h in water immersion under voltage
- Suitable for evaporator temperature measurement. Very high number of thermal cycles resistant: 100 000 cycles
- The cables jackets are suitable for back-panel polyurethane foaming process (max. 100 °C, 5 min)
- Compliant to RoHS directive 2002/95/EC and in accordance to WEEE 2002/96/EC
- UL certification available or on request
- The sensors are also available with single insulated cables, and with PVC-free cable

Applications

Temperature measurement, sensing and control:

- White goods
- Refrigerators
- Freezers, deep-freezers
- Ice cube makers
- Counter drinks coolers
- Backbar and catering coolers
- Display fridges
- Wine coolers



NTCACAPE3 C90143:
single insulated, 3 sensors;
NTCACAPE3 C90144: double
insulated, 3 sensors

More information can be found on www.vishay.com/thermistors or at nlr@vishay.com

DISCLAIMER All product specifications and data are subject to change without notice. Vishay Intertechnology, Inc., its affiliates, agents, and employees, and all persons acting on its or their behalf (collectively, "Vishay"), disclaim any and all liability for any errors, inaccuracies or incompleteness contained herein or in any other disclosure relating to any product. Vishay disclaims any and all liability arising out of the use or application of any product described herein or of any information provided herein to the maximum extent permitted by law. The product specifications do not expand or otherwise modify Vishay's terms and conditions of purchase, including but not limited to the warranty expressed therein, which apply to these products. No license, express or implied, by estoppel or otherwise, to any intellectual property rights is granted by this document or by any conduct of Vishay. The products shown herein are not designed for use in medical, life-saving, or life-sustaining applications unless otherwise expressly indicated. Customers using or selling Vishay products not expressly indicated for use in such applications do so entirely at their own risk and agree to fully indemnify Vishay for any damages arising or resulting from such use or sale. Please contact authorized Vishay personnel to obtain written terms and conditions regarding products designed for such applications. Product names and markings noted herein may be trademarks of their respective owners.

SEMICONDUCTORS:

Rectifiers • High-Power Diodes and Thyristors • Small-Signal Diodes • Zener and Suppressor Diodes
• FETs • Optoelectronics • ICs • Modules

PASSIVE COMPONENTS:

Resistive Products • Magnetics • Capacitors



One of the World's Largest Manufacturers of
Discrete Semiconductors and Passive Components

WORLDWIDE SALES CONTACTS

THE AMERICAS

UNITED STATES

VISHAY AMERICAS
ONE GREENWICH PLACE
SHELTON, CT 06484
UNITED STATES
PH: +1-402-563-6866
FAX: +1-402-563-6296

ASIA

SINGAPORE

VISHAY INTERTECHNOLOGY ASIA PTE LTD.
37A TAMPINES STREET 92 #07-00
SINGAPORE 528886
PH: +65-6788-6668
FAX: +65-6788-0988

P.R. CHINA

VISHAY CHINA CO., LTD.
15D, SUN TONG INFOPORT PLAZA
55 HUAI HAI WEST ROAD
SHANGHAI 200030
P.R. CHINA
PH: +86-21-5258 5000
FAX: +86-21-5258 7979

JAPAN

VISHAY JAPAN CO., LTD.
SHIBUYA PRESTIGE BLDG. 4F
3-12-22, SHIBUYA
SHIBUYA-KU
TOKYO 150-0002
JAPAN
PH: +81-3-5466-7150
FAX: +81-3-5466-7160

EUROPE

GERMANY

VISHAY ELECTRONIC GMBH
GEHEIMRAT-ROSENTHAL-STR. 100
95100 SELB
GERMANY
PH: +49-9287-71-0
FAX: +49-9287-70435

FRANCE

VISHAY S.A.
199, BLVD DE LA MADELEINE
06003 NICE, CEDEX 1
FRANCE
PH: +33-4-9337-2727
FAX: +33-4-9337-2726

UNITED KINGDOM

VISHAY LTD.
SUITE 6C, TOWER HOUSE
ST. CATHERINE'S COURT
SUNDERLAND ENTERPRISE PARK
SUNDERLAND SR5 3XJ
UNITED KINGDOM
PH: +44-191-516-8584
FAX: +44-191-549-9556

Build **Vishay**
into your **Design**

www.vishay.com